

POURSTEADY®

PSI-3c 3-cup system

Poursteady makes pour-over coffee better.

Poursteady is a pour-over coffee machine that combines precision motion-control with unprecedented speed and reliability. It's perfect for your busy coffee-shop, restaurant or office.



Features

- Customers enjoy better coffee with less waiting
- Baristas make more consistent coffee with less stress.
- Sell more coffee with less training, waste, and downtime

Specifications

Dimensions

24-3/8" wide × 18-5/8" tall × 7-7/8" deep

Power

110/240VAC, 1A max

Certifications

NSF Sanitation

NSF Electrical (tested to UL 197)

KCC

CE



Connections to the Machine

Purge Tube (to drain)

Ethernet Port

Boiler/Pump Control

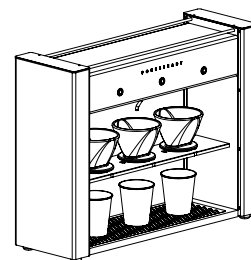
Power Supply Port

Micro SD Card Slot

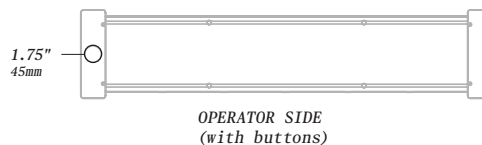
USB Port / Wi-Fi Antenna

Hot-water Supply Tube
(to boiler)

Drain Connection



Counter Cutout



Requirements

Networking / IT

The machine can be connected either via onboard Ethernet or an attached WiFi adapter (included).

Plumbing

Water supply and 3/4" diameter drain below the counter to be installed within 24" of cutout in counter.

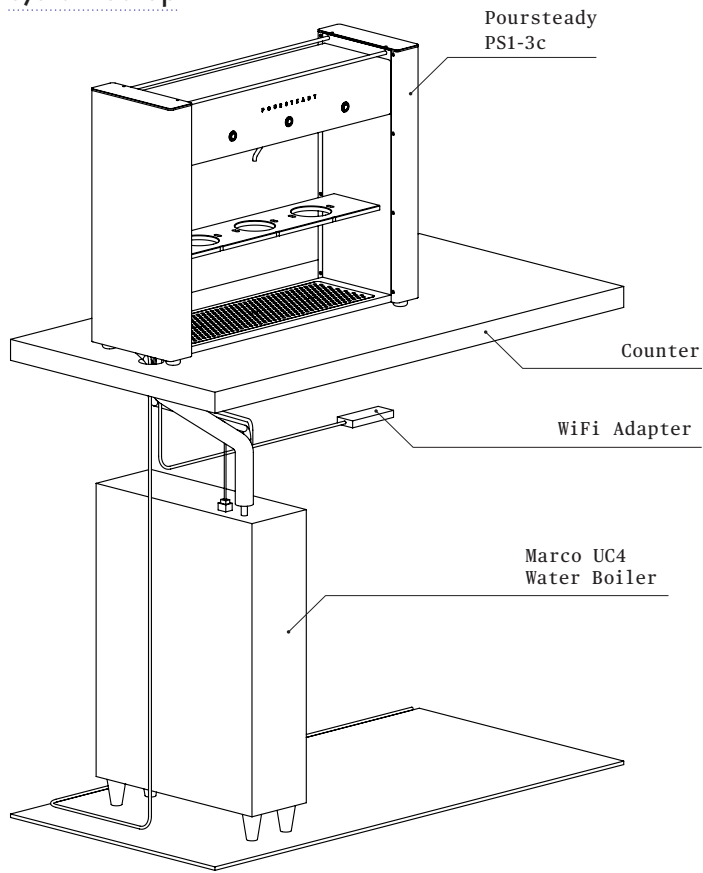
Marco Ecosmart Under Counter Boiler

(additional specifications on back)

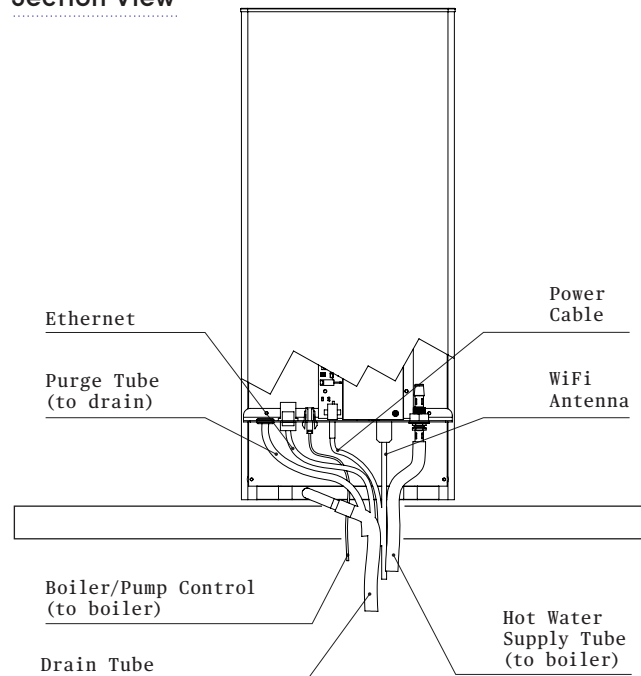
Boiler connects to cold water mains via the provided 3/8" NPT male fitting.

POURSTEADY®

System Setup



Section View



Marco Ecosmart Under Counter Boiler System (required)



Marco UC4

Marco Ecosmart UC4 Boiler (4L)

Dimensions

5.9" wide × 22.4" tall × 15.7" deep

Power

2.4kW, 20A @ 200-230VAC
NEMA L6-20P Receptacle
3/8" NPT Male Fitting



Marco UC10

Marco Ecosmart UC10 Boiler (10L)

Dimensions

9" wide × 22.4" tall × 15.7" deep

Power

5.6kW, 30A @ 200-230V
NEMA L6-30P Receptacle
3/8" NPT Male Fitting



Marco UC45

Marco Ecosmart UC45 Boiler (45L)

Dimensions

16.5" wide × 27.1" tall × 19.6" deep

Power

5.6kW, 30A @ 200-230V
NEMA L6-30P Receptacle
3/8" NPT Male Fitting