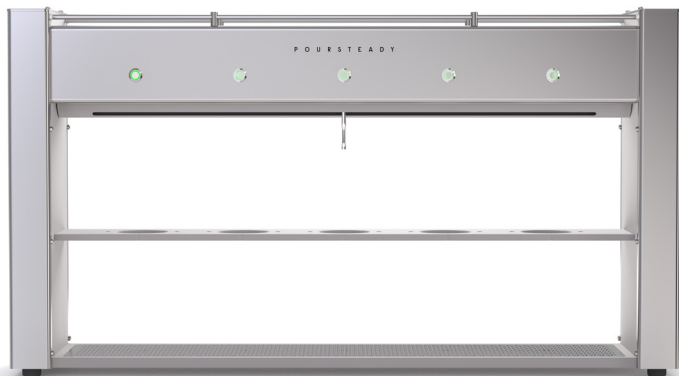


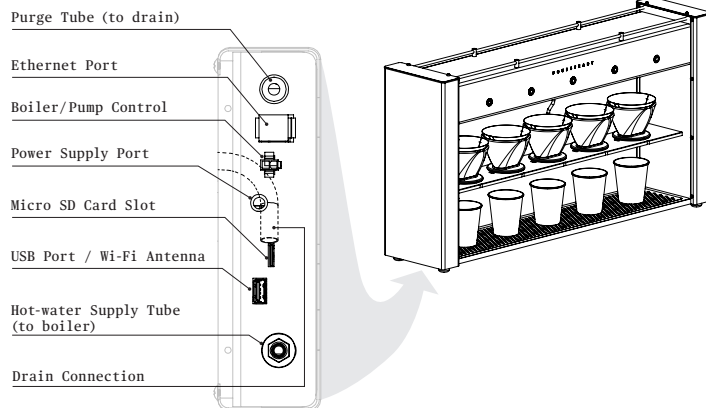
PSI 5-cup system

Pour-over in batches.

Poursteady is a pour-over coffee machine that combines precision motion-control with unprecedented speed and reliability. It's perfect for your busy coffee-shop, restaurant or office.



Connections to the Machine



Features

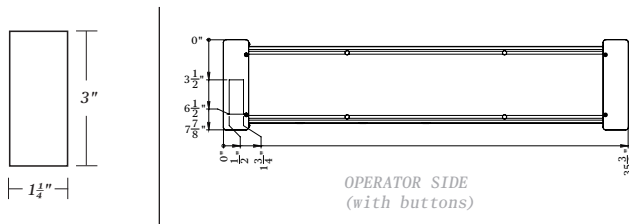
Reliable robotics for repeatable pours.

Designed and manufactured by robotics engineers using industrial automation components rated and tested for years of continuous use.

Barista-controlled, with coffee statistics.

Dial in pour-over recipes for each station. Adjust the volume of water, patterns and wait times for each pour. See number of cups made over time, for any machine, anywhere.

Counter Cutout



Specifications

Dimensions

35-3/8" wide × 18-5/8" tall × 7-7/8" deep

Power

110/240VAC, 1A max

Certifications

NSF Sanitation

NSF Electrical (tested to UL 197)

Requirements

Networking / IT

A secured WiFi network with a password that is 2.4GHz (not 5GHz) OR an ethernet connection.

Plumbing

Water supply and 3/4" diameter drain below the counter to be installed within 24" of cutout in counter.

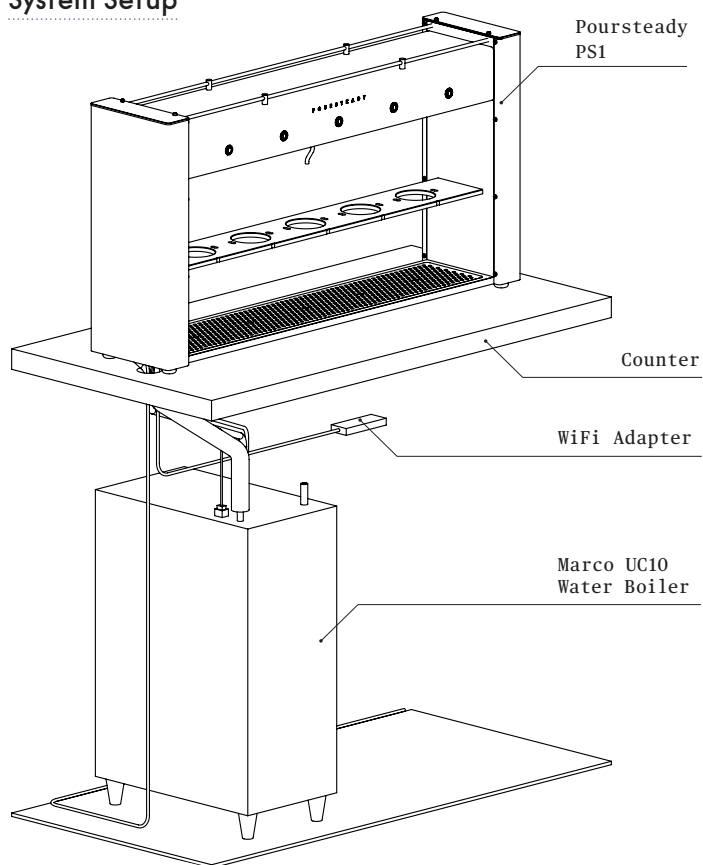
Marco Ecosmart Under Counter Boiler

(additional specifications on back)

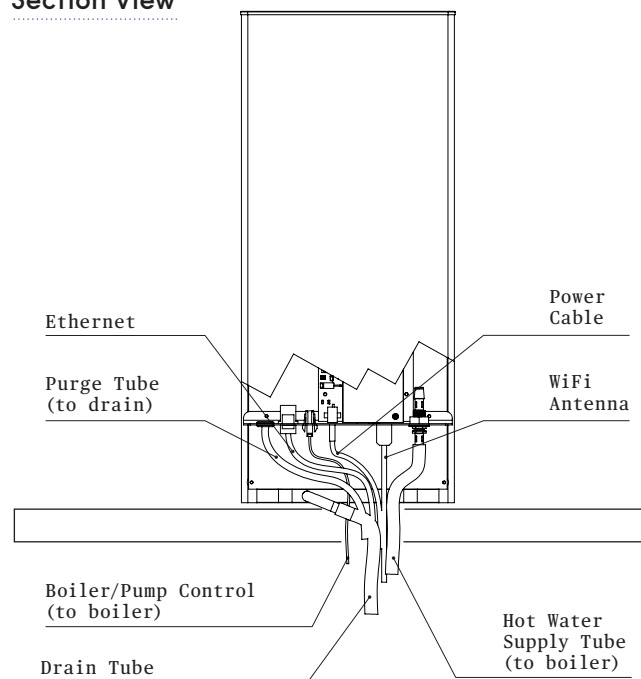
Boiler connects to cold water mains via the provided 3/8" NPT male fitting.



System Setup



Section View



Marco Ecosmart Under Counter Boiler System (required)



Marco UC4

Marco Ecosmart UC4 Boiler
(4L)

Dimensions

5.9" wide × 22.4" tall × 15.7" deep

Power

2.4kW, 20A @ 200-230VAC
NEMA L6-20P Receptacle
3/8" NPT Male Fitting



Marco UC10

Marco Ecosmart UC10 Boiler
(10L)

Dimensions

9" wide × 22.4" tall × 15.7" deep

Power

5.6kW, 30A @ 200-230V
NEMA L6-30P Receptacle
3/8" NPT Male Fitting



Marco UC45

Marco Ecosmart UC45 Boiler
(45L)

Dimensions

16.5" wide × 27.1" tall × 19.6" deep

Power

5.6kW, 30A @ 200-230V
NEMA L6-30P Receptacle
3/8" NPT Male Fitting