

## PSI-3c 3-cup system

### Pour-over in batches.

Poursteady is a pour-over coffee machine that combines precision motion-control with unprecedented speed and reliability. It's perfect for your busy coffee-shop, restaurant or office.



### Features

#### Reliable robotics for repeatable pours.

Designed and manufactured by robotics engineers using industrial automation components rated and tested for years of continuous use.

#### Barista-controlled, with coffee statistics.

Dial in pour-over recipes for each station. Adjust the volume of water, patterns and wait times for each pour. See number of cups made over time, for any machine, anywhere.

### Specifications

#### Dimensions

24-3/8" wide × 18-5/8" tall × 7-7/8" deep

#### Power

110/240VAC, 1A max

#### Certifications

NSF Sanitation

NSF Electrical (tested to UL 197)



### Connections to the Machine

Purge Tube (to drain)

Ethernet Port

Boiler/Pump Control

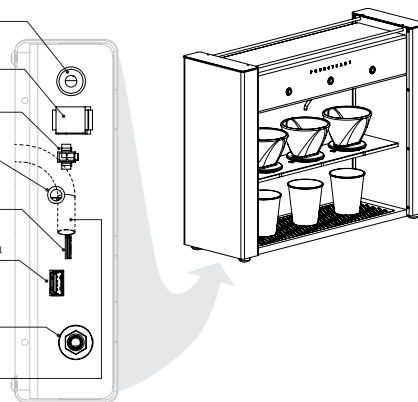
Power Supply Port

Micro SD Card Slot

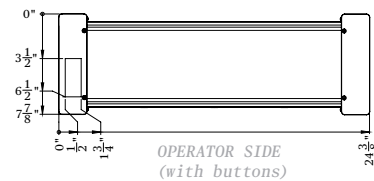
USB Port / Wi-Fi Antenna

Hot-water Supply Tube (to boiler)

Drain Connection



### Counter Cutout



### Requirements

#### Networking / IT

A secured WiFi network with a password that is 2.4GHz (not 5GHz) OR an ethernet connection.

#### Plumbing

Water supply and 3/4" diameter drain below the counter to be installed within 24" of cutout in counter.

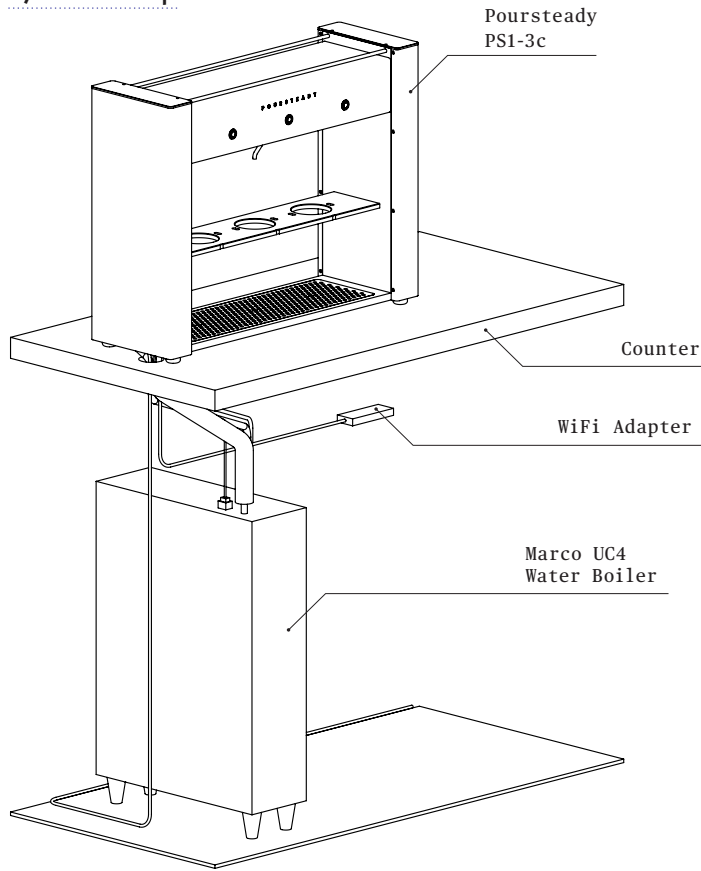
#### Marco Ecosmart Under Counter Boiler

(additional specifications on back)

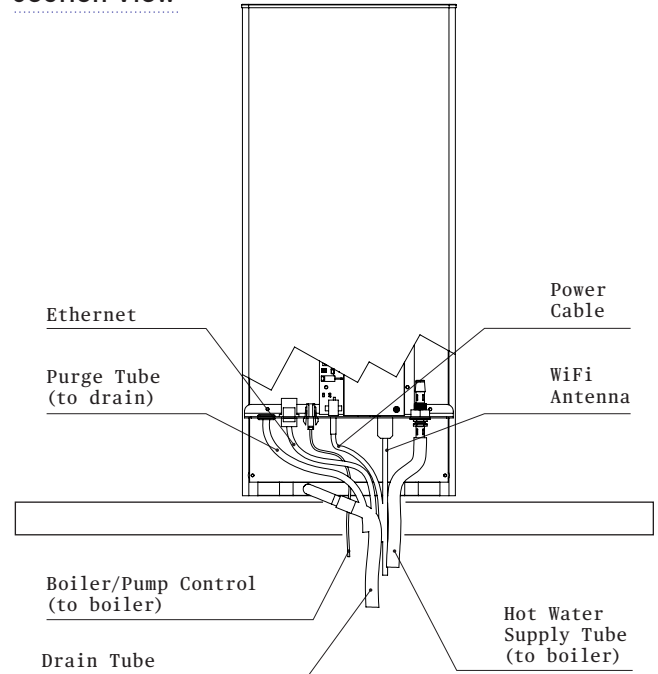
Boiler connects to cold water mains via the provided 3/8" NPT male fitting.

# POURSTEADY®

## System Setup



## Section View



## Marco Ecosmart Under Counter Boiler System (required)



### Marco UC4

Marco Ecosmart UC4 Boiler (4L)

#### Dimensions

5.9" wide × 22.4" tall × 15.7" deep

#### Power

2.4kW, 20A @ 200-230VAC  
NEMA L6-20P Receptacle  
3/8" NPT Male Fitting



### Marco UC10

Marco Ecosmart UC10 Boiler (10L)

#### Dimensions

9" wide × 22.4" tall × 15.7" deep

#### Power

5.6kW, 30A @ 200-230V  
NEMA L6-30P Receptacle  
3/8" NPT Male Fitting



### Marco UC45

Marco Ecosmart UC45 Boiler (45L)

#### Dimensions

16.5" wide × 27.1" tall × 19.6" deep

#### Power

5.6kW, 30A @ 200-230V  
NEMA L6-30P Receptacle  
3/8" NPT Male Fitting